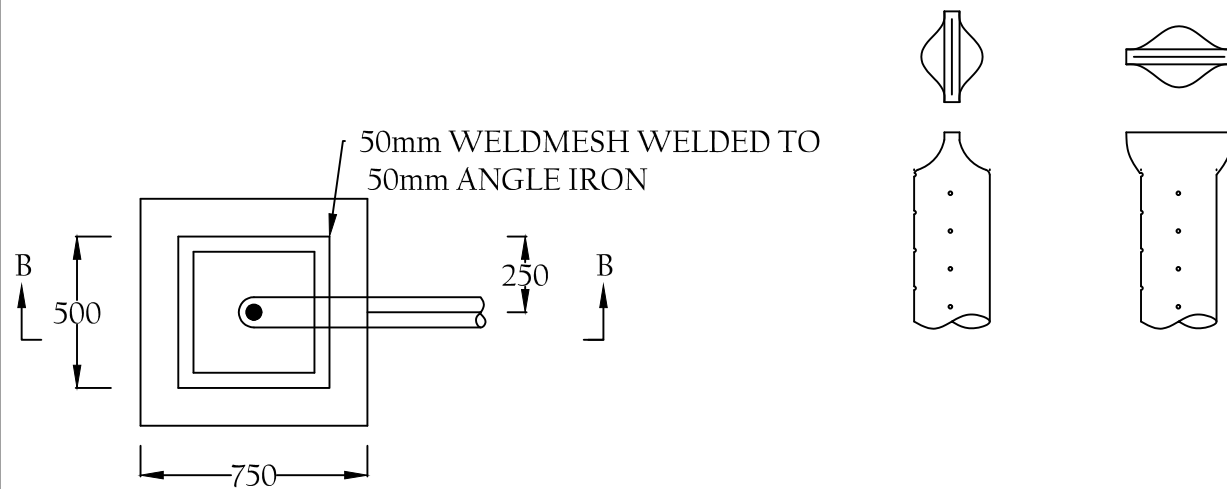


- COLLARS AROUND EVERY JOINT UNDER EMBANKMENT
- PIPE TO BE LAID IN EXCAVATION TRENCH EMBEDDED IN CONCRETE 1:2:4
- COLLARS TO BE CASTED STRAIGHT IN EXCAVATION, NO SHUTTERING TO BE USED



Client: Caritas Nyeri		Location:	
Surveyed By:	Wambugu&Munene	File Name:	Scale:
Drawn By:	Wambugu	Project: THOME SMALL HOLDER IRRIGATION WATER PROJECT	
Designed By:	Wambugu	Drawing Title: INTAKE, DRAW OFF AND VALVE CHAMBER FOR SMALL EARTH DAMS&PANS	
Checked By:	ENG J.M.Maina	Drawing No:	Rev:
Approved By:	ENG J.M.Maina	LKP/THOME...007	Sheet: